

## Down on the Farm

Set Up: Have Cub Master dressed in overalls and have the room decorated with bales of hay, dried cornstalks. Etc.

### **Cub Scout Helps Suggests You Can Say the “Farmers Welcome”**

“Welcome, everyone to the farmyard of Pack 1070. On the farm there is plenty of work to do. Everyone in my family is busy planting seeds, harvesting crops, feeding animals and keeping the farm running. We are never too busy to help out the neighbors in need or help out at the local church or even raise a flag at the town square.

That’s one thing I like about Cub Scouts too. You are busy with school work, earning all the fancy awards, and playing with your buddies, but you are never too busy to help when needed. I like the Cub Scout promise when it says “to do my best, to do my duty to God and my country...”You really know how to do your best and do your duty to both God and your country. Please rise and reflect on how you can continue to do your duty to God and this great country as we rise to salute the flag and say the Pledge of Allegiance.”

### **Play a game or two.**

Hot Pumpkin, Bob for Apples, Needle in a Haystack, Roll the Potato, Making Butter

### **Give out Awards:**

Place each level of awards behind a picture of an animal or a stuffed animal if you have it. Have each level of scout make the animal sounds to get their awards. Cows, sheep, pigs, roosters, ducks etc.

### **Jokes/Fun for the Month:**

Knock, Knock...Who’s There? Cows go? Cows go who? No silly, cows go moo.

Have all the kids act like ducks. Have the “ducks” jump up and down. Have 1 scout say...What’s going on? Another answers: Don’t you know what it is when all the ducks are jumping up and down? The 1 scout says: No what is it? Everyone answers: It’s an earth quack.

### **Closing ceremony:**

Have 5 Scouts read the following:

Scout 1: When you eat breakfast tomorrow morning, thank a farmer. The farmer grew the grains for your cereal. Another farmer raised the dairy cows that gave you the milk.

Scout 2: When you each lunch tomorrow, thank a farmer. A farmer grew the wheat for your bread, the peanuts for your peanut butter and the fruits for your jelly.

Scout 3: When you eat a snack tomorrow, thank a farmer. A farmer grew the apples for your juice, and the celery and carrots that you munch.

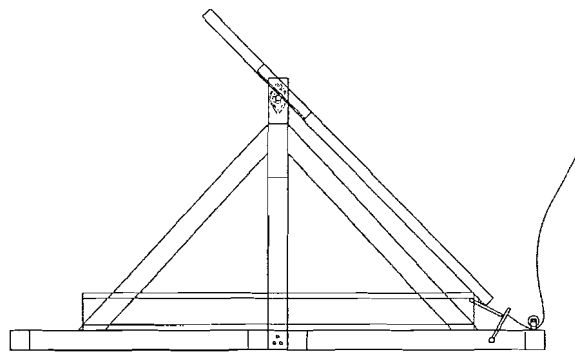
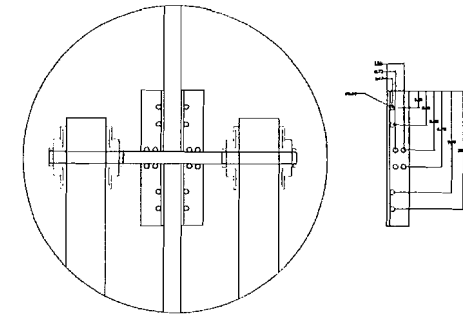
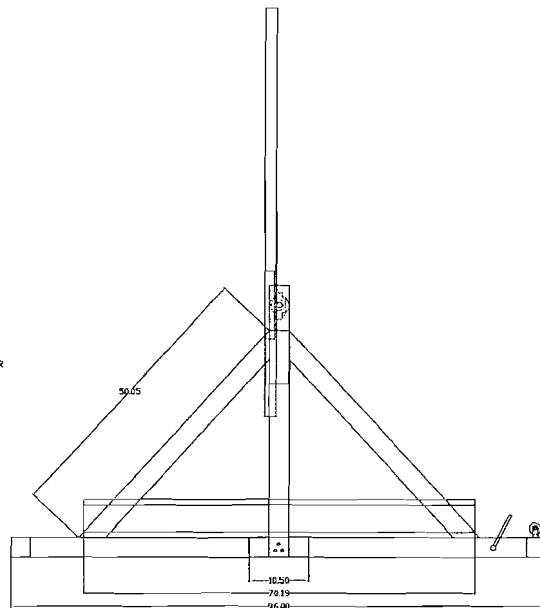
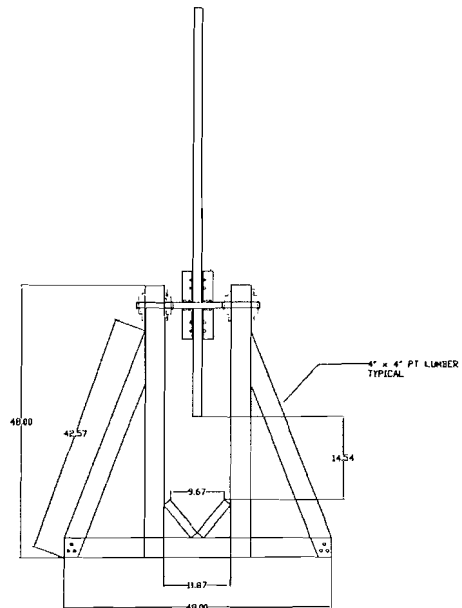
Scout 4: When you eat dinner tomorrow, thank a farmer. A farmer grew the potatoes for your mashed potatoes and the lettuce for your salad.

Scout 5: A farmer may live down the street, in the next county or across the United States. But wherever the farmer may be...remember

All: Thank a farmer!!!

PART NO. REV  
P-CHUNK A

REVISION STATUS				DRFT	CHKD	DATE	APVD
REV	ZONE	FCN	DESCRIPTION				
A			CLASS CUB RELEASE	RNW		2/27/75	



FIND LETTER	FUV PART NO.	BY REG'D	DESCRIPTION																																				
			<b>BILL OF MATERIAL</b>																																				
			<table border="0"> <tr> <td> <small>THIS DRAWING AND THE MATERIAL SPECIFICATIONS ARE THE PROPERTY OF FUSION SYSTEMS INC. ANY REPRODUCTION OR DISSEMINATION OF THIS DRAWING OR MATERIAL WITHOUT THE WRITTEN PERMISSION OF FUSION SYSTEMS INC. IS PROHIBITED.</small> </td> <td> <small>DESIGNED BY: RNW</small>  <small>ENGINEER: RNW</small>  <small>DRAWN BY: [Signature]</small>  <small>CHECKED BY: [Signature]</small>  <small>DATE: [Date]</small> </td> <td> <b>FUSION SYSTEMS INC.</b>  <small>San Ramon, California</small> </td> </tr> <tr> <td colspan="3"> <b>DO NOT SCALE THIS PRINT</b> </td> </tr> <tr> <td colspan="3"> <small>SPECIFICATIONS: UNLESS OTHERWISE NOTED</small>  <small>FINISHES: ALL TO PLACES 1 AND 2 WITH 1 FINISH</small>  <small>ALL DIMENSIONS ARE IN INCHES</small> </td> </tr> <tr> <td><b>MATERIAL:</b></td> <td><b>TOLERANCES:</b></td> <td><b>PROJECT NO:</b></td> </tr> <tr> <td></td> <td>THREE PLACES ±.010</td> <td>050703AC</td> </tr> <tr> <td><b>FINISH:</b></td> <td>TWO PLACES ±.03</td> <td><b>NEXT ASST:</b></td> </tr> <tr> <td></td> <td>ANGLES: ±.05</td> <td></td> </tr> <tr> <td></td> <td>✓ ALL MACHINED SURFACES</td> <td><b>CODE FRONT:</b></td> </tr> <tr> <td colspan="2"></td> <td><b>DOCUMENT NO:</b></td> </tr> <tr> <td colspan="2"></td> <td>D P-CHUNK</td> </tr> <tr> <td colspan="2"></td> <td><b>SCALE:</b> 1" = 8"</td> </tr> <tr> <td colspan="2"></td> <td><b>SHEET 1 OF 1</b></td> </tr> </table>	<small>THIS DRAWING AND THE MATERIAL SPECIFICATIONS ARE THE PROPERTY OF FUSION SYSTEMS INC. ANY REPRODUCTION OR DISSEMINATION OF THIS DRAWING OR MATERIAL WITHOUT THE WRITTEN PERMISSION OF FUSION SYSTEMS INC. IS PROHIBITED.</small>	<small>DESIGNED BY: RNW</small> <small>ENGINEER: RNW</small> <small>DRAWN BY: [Signature]</small> <small>CHECKED BY: [Signature]</small> <small>DATE: [Date]</small>	<b>FUSION SYSTEMS INC.</b> <small>San Ramon, California</small>	<b>DO NOT SCALE THIS PRINT</b>			<small>SPECIFICATIONS: UNLESS OTHERWISE NOTED</small> <small>FINISHES: ALL TO PLACES 1 AND 2 WITH 1 FINISH</small> <small>ALL DIMENSIONS ARE IN INCHES</small>			<b>MATERIAL:</b>	<b>TOLERANCES:</b>	<b>PROJECT NO:</b>		THREE PLACES ±.010	050703AC	<b>FINISH:</b>	TWO PLACES ±.03	<b>NEXT ASST:</b>		ANGLES: ±.05			✓ ALL MACHINED SURFACES	<b>CODE FRONT:</b>			<b>DOCUMENT NO:</b>			D P-CHUNK			<b>SCALE:</b> 1" = 8"			<b>SHEET 1 OF 1</b>
<small>THIS DRAWING AND THE MATERIAL SPECIFICATIONS ARE THE PROPERTY OF FUSION SYSTEMS INC. ANY REPRODUCTION OR DISSEMINATION OF THIS DRAWING OR MATERIAL WITHOUT THE WRITTEN PERMISSION OF FUSION SYSTEMS INC. IS PROHIBITED.</small>	<small>DESIGNED BY: RNW</small> <small>ENGINEER: RNW</small> <small>DRAWN BY: [Signature]</small> <small>CHECKED BY: [Signature]</small> <small>DATE: [Date]</small>	<b>FUSION SYSTEMS INC.</b> <small>San Ramon, California</small>																																					
<b>DO NOT SCALE THIS PRINT</b>																																							
<small>SPECIFICATIONS: UNLESS OTHERWISE NOTED</small> <small>FINISHES: ALL TO PLACES 1 AND 2 WITH 1 FINISH</small> <small>ALL DIMENSIONS ARE IN INCHES</small>																																							
<b>MATERIAL:</b>	<b>TOLERANCES:</b>	<b>PROJECT NO:</b>																																					
	THREE PLACES ±.010	050703AC																																					
<b>FINISH:</b>	TWO PLACES ±.03	<b>NEXT ASST:</b>																																					
	ANGLES: ±.05																																						
	✓ ALL MACHINED SURFACES	<b>CODE FRONT:</b>																																					
		<b>DOCUMENT NO:</b>																																					
		D P-CHUNK																																					
		<b>SCALE:</b> 1" = 8"																																					
		<b>SHEET 1 OF 1</b>																																					